

Fig. 7-44. Adjustor Block.*

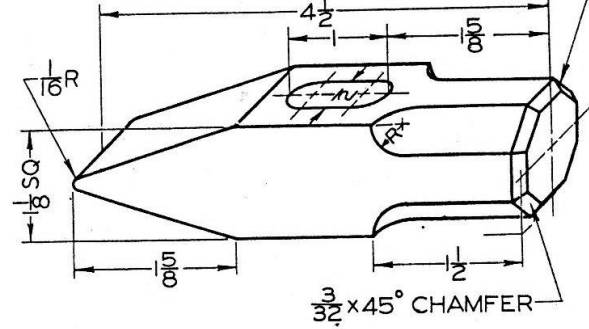


Fig. 7-45. Riveting Hammer Head.*

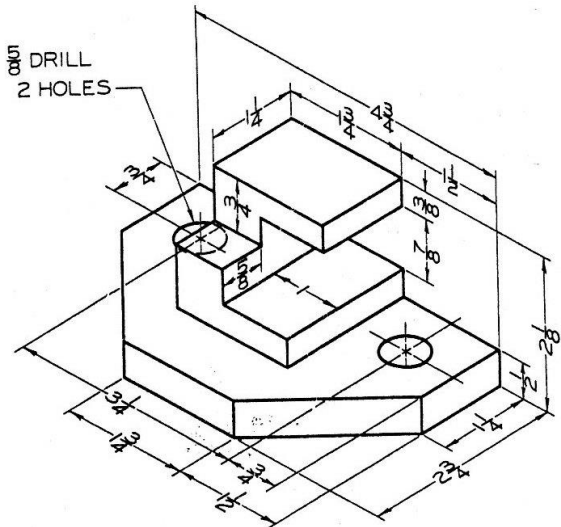


Fig. 7-46. Flipper Dog.*

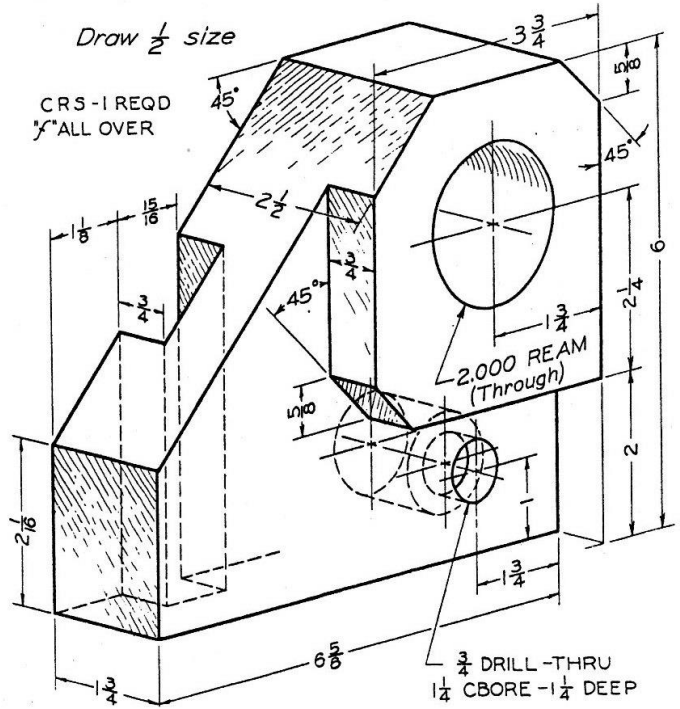
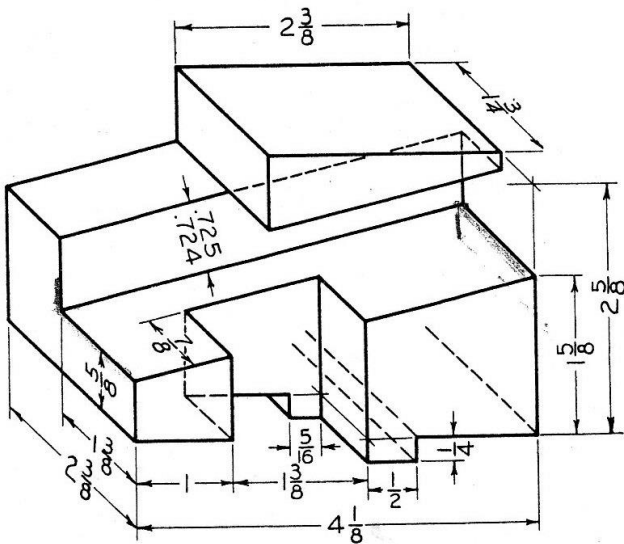


Fig. 7-47. Guide Base.*



*** Fig. 7-48. Holder Base.***

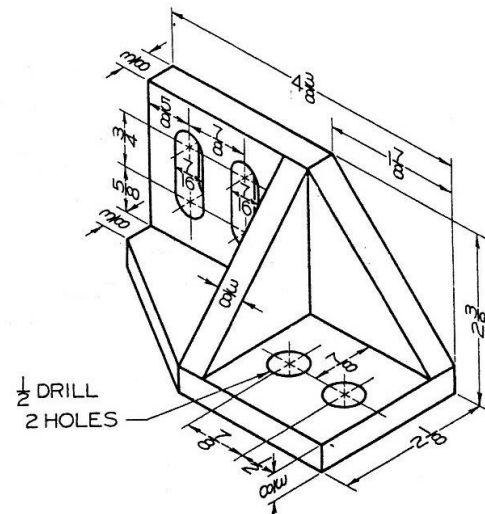


Fig. 7-49. Support Bracket.*

Using Layout C (Appendix, page 474), draw necessary views with instruments. Omit dimensions unless gned.